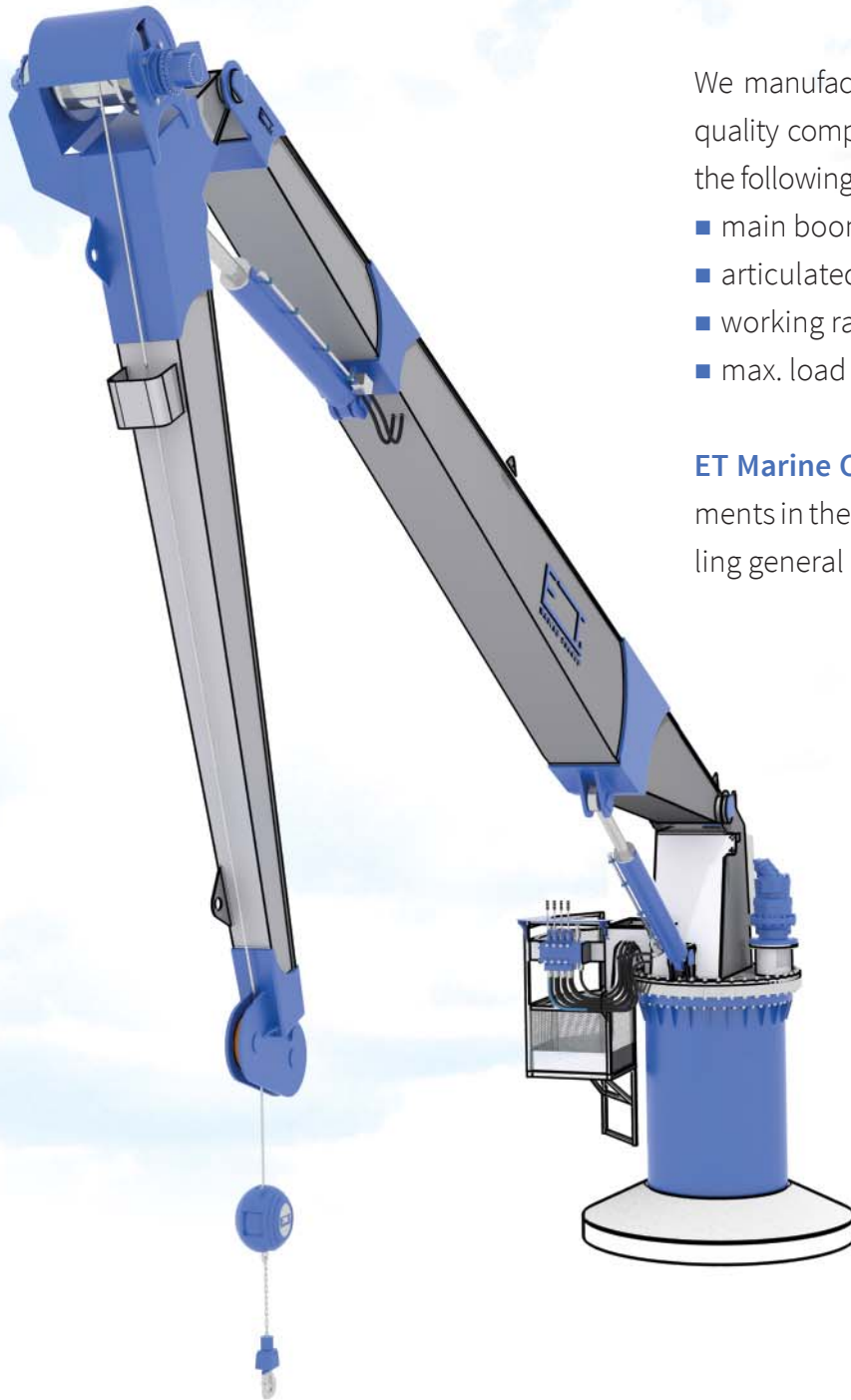


KNUCKLE BOOM CRANES

DISCOVER THE BEST SOLUTION FOR CARGO

HANDLING IN MARINE APPLICATIONS



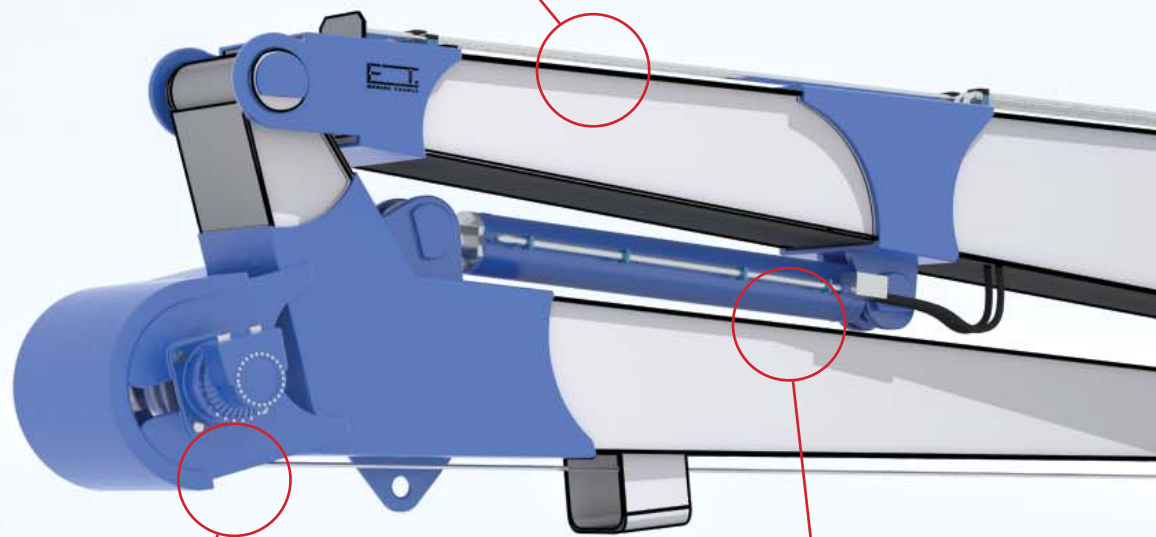
We manufacture and sell marine cranes equipped with quality components and Bosch Rexroth hydraulics, with the following main technical features:

- main boom length up to 11 m
- articulated boom length up to 6 m
- working radius min. 2 m and max. 15 m
- max. load 4.5 tons.

ET Marine Cranes meet the most demanding requirements in the field and are the optimal solution for handling general cargo operations and services on vessels.



Hydraulic line and joints bolts are made of stainless steel base ensures high reliability in operation.

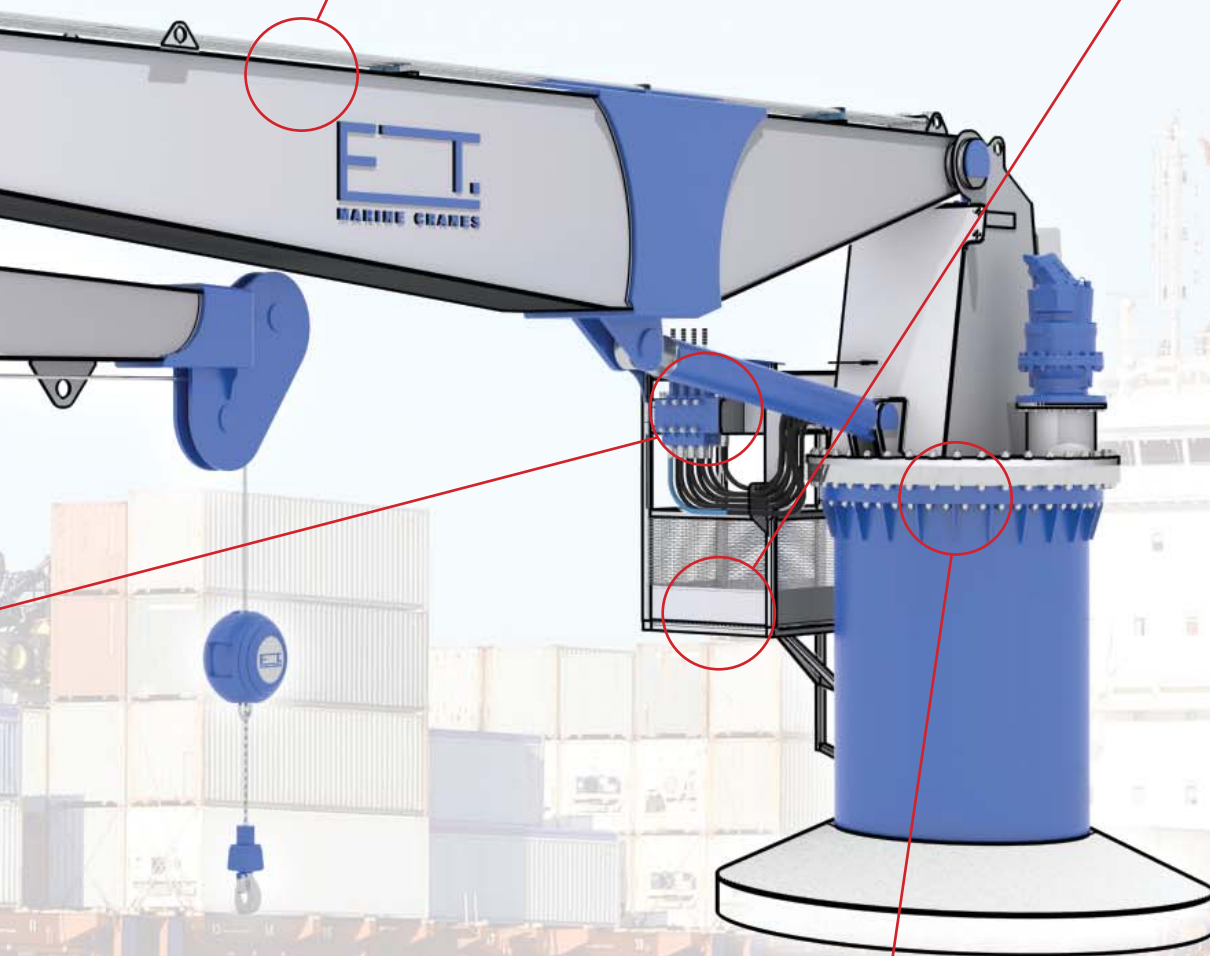


Bosch Rexroth hydraulic cylinders and shock absorber rods embedded special chrome-nickel coating.

Hydraulic winch provided with cable drum fitted with handling loads up to 4.5 tons.

Metal construction of the crane is made of high quality steel with welds according to EN 1090-1: 2009 and protected with paint for marine applications.

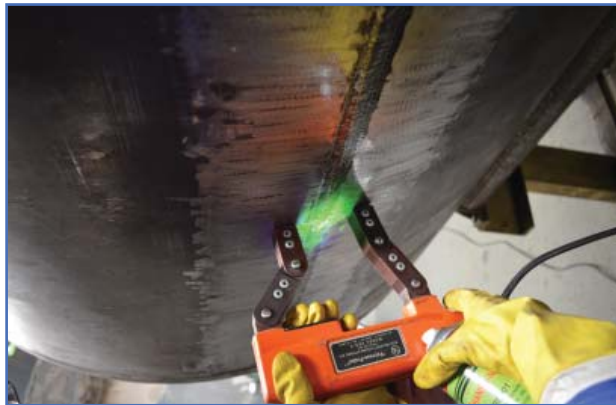
Operator platform can be mounted to the left or right access. For all hydraulic functions the operator platform is provided with mechanically operated control desk and can be equipped with optional radio remote.



This crane unit contain Bosch Rexroth hydraulic equipment. The rotation mechanism to 360° of the crane is fitted with pressure bearing.

ADVANTAGES OF ET MARINE CRANES

- Operating environment between -20° C and + 40° C
- Full documentation and operating manual
- Ergonomics and reliability in operation
- Precise control and safe for all operating functions
- Quality hydraulic components protected enclosures
- Made of stainless steel hydraulic line
- Warranty and original spare parts
- Other sizes available upon request.



All **ET marine cranes** can be equipped with various accessories and certified by various certification societies.

Before delivery all ET cranes are tested and verified to meet the highest demands.



ET MARINE CRANES

E-mail: office@et-marinecranes.com